

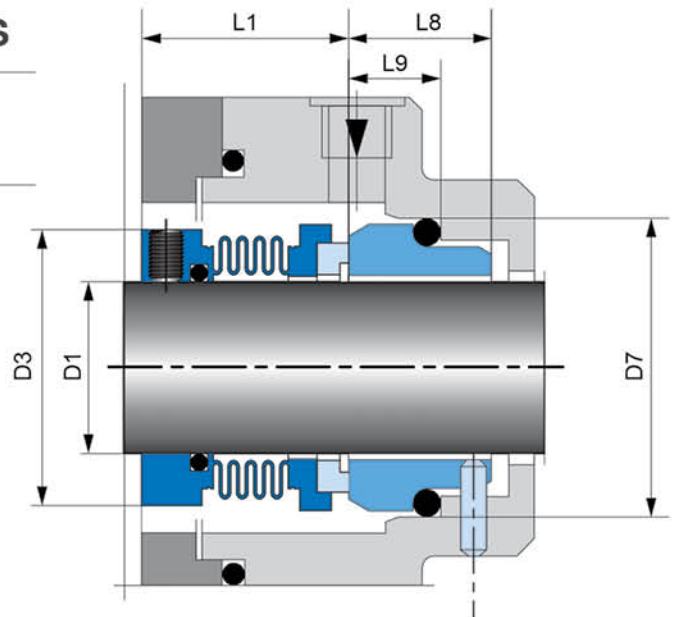


Mechanical Seal Specification

Determine the best sealing solution for your applications.

Formed Metal Bellows Seals

TIB-95N



Applications

- For use with extremely corrosive chemicals, chemical, and refinery processing pump applications.
- For process services requiring corrosion resistance.
- Very good self cleaning effect.
- Suitable for low-end sterile applications.

The TIB-95N seal is the ideal for general purpose applications. Its Alloy 20, Hastelloy C, Titanium, AM 350 bellows provide corrosion resistance in a board rang of services. Its cost-effective design, combined with a reliable performance.

Operating Conditions

- Max. Operating Pressure : 20 kg/cm²*
- Temperature Range : -40 to 220 °
- Max. Rubbing Speed : 20 m/s

*(Depend on combination of materials)

Standard Materials

- Metal Bellows : Alloy 20, Hastelloy C, Titanium, AM 350
- Adaptive Hardware: Alloy 20, Hastelloy C, Titanium, SUS 316
- Rotary Face : Silicon Carbide/Tungsten Carbide/Carbon
- Stationary Face : Silicon Carbide/Tungsten Carbide/Carbon
- Secondary Seals : Fluoroelastomer/Per-Fluoroelastomer/Chemraz

*(Other configuration of materials also available on request)

Design Features/Benefits

- Results in even stress distribution with benefits of greater strength and higher rate of flexibility: seal is bi-rotational and inherently pressure balanced.
- Is resistance to clogging and therefore ideal for slurries and fibrous liquids. Similarly, seal unit is easy to clean and sterilize in place.
- Ensures a simple-to-fit seal, with superior heat dissipation paths, Seal unit is reliable and does not wear the shaft.



Mechanical Seal Specification

Determine the best sealing solution for your applications.

Dimensional Data (mm.)

D1	D3	D7	L1	L8	L9
14	24	25	33.0	17.5	10.0
16	26	27	35.0	17.5	10.0
18	32	33	37.5	14.0	11.5
20	34	35	37.5	14.0	11.5
22	36	37	37.5	14.0	11.5
24	39	39	40.0	19.5	11.5
25	39	40	40.0	19.5	11.5
28	42	43	42.5	19.5	11.5
30	44	45	42.5	19.5	11.5
32	46	48	42.5	19.5	11.5
33	47	48	42.5	19.5	11.5
35	49	50	42.5	19.5	11.5
38	54	56	45.0	22.0	14.0
40	56	58	45.0	22.0	14.0
43	58	61	45.0	22.0	14.0
45	61	63	45.0	22.0	14.0
48	64	66	45.0	22.0	14.0
50	66	70	47.5	23.0	15.0
53	69	73	47.5	23.0	15.0
55	71	75	47.5	23.0	15.0
58	78	78	52.5	23.0	15.0
60	80	80	52.5	23.0	15.0
63	83	83	52.5	23.0	15.0
65	85	85	52.5	23.0	15.0
68	87	90	52.5	26.0	18.0
70	90	92	60.0	26.0	18.0
75	99	97	60.0	26.0	18.0
80	104	105	60.0	26.2	18.2
85	109	110	60.0	26.2	18.2
90	114	115	65.0	26.2	18.2
95	119	120	65.0	25.2	17.2
100	124	125	65.0	25.2	17.2

* Other sizes are available upon request.