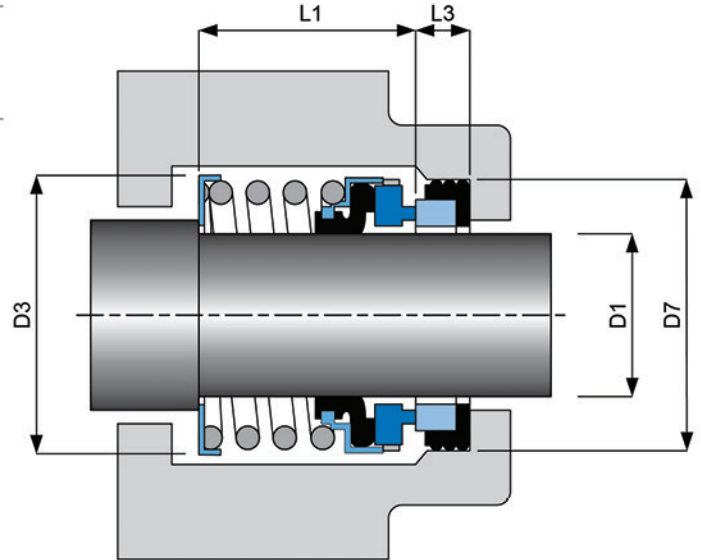




## Elastomer Bellows Seals

# TIB-300



### Applications

- For use in pumps, mixers, blenders, agitators, compressors, chillers, and other rotary shaft equipment.
- For pulp and paper, petrochemical, food processing, wastewater treatment and other demanding applications.

Type TIB-300 mechanical seals is a general purpose elastomer bellows nonpusher seal.

### Standard Materials

- Metal Parts : SUS 316
- Spring : SUS 316
- Rotary Face : Silicon Carbide/Tungsten Carbide/Carbon
- Stationary Face : Ceramic/Silicon Carbide/Tungsten Carbide
- Secondary Seals : Fluoroelastomer/Nitrile/Ethylene Propylene

\*(Other configuration of materials also available on request)

### Operating Conditions

- Max. Operating Pressure : 15 kg/cm<sup>2</sup> (220psi)
- Temperature Range : -40 to 205 °C \*
- Max. Rubbing Speed : 380 m/s (3600rpm)

\*(Depend on combination of materials)

### Design Features/Benefits

- Non-Clogging, Single Coil Spring will not run foul due to fluid contact.
- Automatic adjustment fully compensates for normal shaft end play and run-out, seal face wear, and equipment tolerances.
- Sealing faces are precision lapped to provide effective performance with maximum seal life.



# Mechanical Seal Specification

Determine the best sealing solution for your applications.

## Dimensional Data (mm.)

D1	D3	D7	L1	L3
10	23.5	24	18.0	7.0
11	23.5	24	18.0	7.0
12	26.0	26	18.0	7.0
14	28.0	28	18.5	7.0
15	30.0	28	22.5	7.0
16	32.0	32	23.5	10.0
18	32.5	35	26.5	10.0
19	32.5	35	26.5	10.0
20	35.5	38	28.0	10.0
22	37.5	40	30.3	10.0
25	42.0	44	29.3	10.0
28	45.5	46	30.0	10.0
30S	46.0	45	30.7	7.5
30L	48.0	50	30.0	10.0
32	50.0	54	30.0	10.0
35	54.5	58	32.0	10.0
38	58.5	60	32.6	10.0
40	62.5	64	32.6	10.0
45	66.5	66	35.0	10.0
50	72.5	72	44.6	10.0
55S	72.0	75	47.4	12.0
55L	76.0	78	47.8	12.0
60	80.0	80	51.0	12.0
65	85.0	85	51.0	13.0
70	92.0	92	49.0	11.0

\* Other sizes are available upon request.

## Dimensional Data (inch)

D1	D3	D7	L1	L3
3/8	23.5	22.225	22.20	6.4
1/2	26.0	25.400	22.20	6.4
5/8	30.0	31.750	23.80	8.7
3/4	32.5	34.925	23.80	8.7
7/8	37.5	38.100	25.40	8.7
1	44.0	41.275	27.00	9.5
1-1/8	48.0	44.450	28.60	9.5
1-1/4	50.0	47.625	28.60	9.5
1-3/8	54.5	50.800	30.20	9.5
1-1/2	58.5	53.975	30.20	9.5
1-5/8	64.0	60.325	36.50	11.1
1-3/4	67.0	63.500	36.50	11.1
1-7/8	71.0	66.675	39.70	11.1
2	73.5	69.850	39.70	11.1
2-1/4	78.4	79.380	43.66	13.5
2-1/2	84.9	85.730	46.80	13.5

\* Other sizes are available upon request.