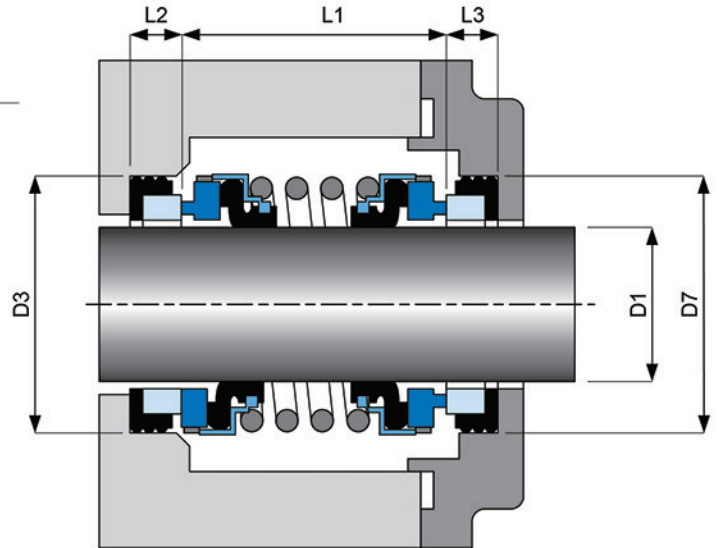


## Elastomer Bellows Seals

# TIB-300D



### Applications

- For use in pumps, mixers, blenders, agitators, compressors, chillers, and other rotary shaft equipment.
- For pulp and paper, petrochemical, food processing, wastewater treatment and other demanding applications.

Type TIB-300D double mechanical seals is a general purpose elastomer bellows nonpusher seal.

### Standard Materials

- Metal Parts : SUS 316
- Spring : SUS 316
- Rotary Face : Silicon Carbide/Tungsten Carbide/Carbon
- Stationary Face : Ceramic/Silicon Carbide/Tungsten Carbide
- Secondary Seals : Fluoroelastomer/Nitrile/Ethylene Propylene

\*(Other configuration of materials also available on request)

### Operating Conditions

- Max. Operating Pressure : 15 kg/cm<sup>2</sup>\*
- Temperature Range : -55 to 100 °
- Max. Rubbing Speed : 20 m/s

\*(Depend on combination of materials)

### Design Features/Benefits

- Non-Clogging, Single Coil Spring will not run foul due to fluid contact.
- Automatic adjustment fully compensates for normal shaft end play and run-out, seal face wear, and equipment tolerances.
- Sealing faces are precision lapped to provide effective performance with maximum seal life.

### Dimensional Data (mm.)

D1	D3	D7	L1	L2	L3
13	25	25	26	5	5
14	30	30	26	5	5
15	30	30	26	5	5
16	30	30	26	5	5

\* Other sizes are available upon request.