

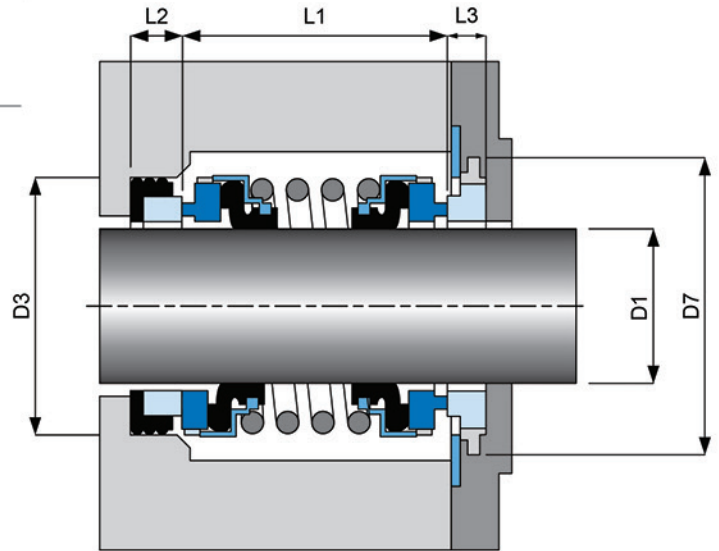


Mechanical Seal Specification

Determine the best sealing solution for your applications.

Elastomer Bellows Seals

TIB-300DL



Applications

- For use in pumps, mixers, blenders, agitators, compressors, chillers, and other rotary shaft equipment.
- For pulp and paper, petrochemical, food processing, wastewater treatment and other demanding applications.

Type TIB-300DL double mechanical seals is a general purpose elastomer bellows nonpusher seal.

Standard Materials

- Metal Parts : SUS 316
- Spring : SUS 316
- Rotary Face : Silicon Carbide/Tungsten Carbide/Carbon
- Stationary Face : Ceramic/Silicon Carbide/Tungsten Carbide
- Secondary Seals : Fluoroelastomer/Nitrile/Ethylene Propylene

*(Other configuration of materials also available on request)

Operating Conditions

- Max. Operating Pressure : 15 kg/cm²*
- Temperature Range : -55 to 100 °
- Max. Rubbing Speed : 20 m/s

*(Depend on combination of materials)

Design Features/Benefits

- Non-Clogging, Single Coil Spring will not run foul due to fluid contact.
- Automatic adjustment fully compensates for normal shaft end play and run-out, seal face wear, and equipment tolerances.
- Sealing faces are precision lapped to provide effective performance with maximum seal life.



Mechanical Seal Specification

Determine the best sealing solution for your applications.

Dimensional Data (mm.)

D1	D3	D7	L1	L2	L3
18	35	38	32	7	10
19	35	38	32	7	10
20	38	44	35	7	7
25	44	50	37	7	7
30	50	57	42	9	8
35	58	64	43	9	9
40	64	70	44	11	9
45	66	70	46	10	9
50	72	80	50	10	9

* Other sizes are available upon request.