

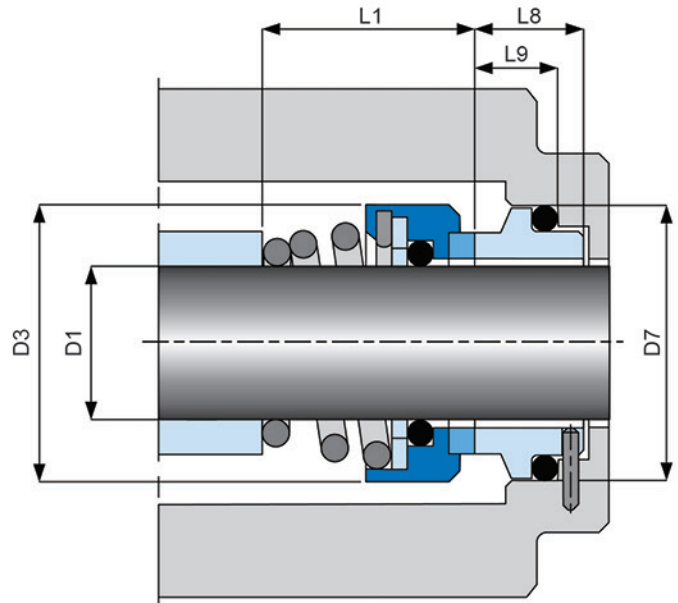


Mechanical Seal Specification

Determine the best sealing solution for your applications.

Elastomer O-Ring Seals

TIB-350



Applications

- For use in pumps, mixers, blenders, agitators, compressors and other rotary shaft equipment.
- For pulp and paper, petrochemical, food processing, wastewater treatment and other demanding applications.

Type TIB-350 mechanical seals are suitable for a wide range of services conditions.

Standard Materials

- Metal Parts : SUS 316
- Spring : SUS 316
- Rotary Face : Silicon Carbide/Tungsten Carbide/Carbon
- Stationary Face : Silicon Carbide/Tungsten Carbide/Carbon
- Secondary Seals : Fluoroelastomer/Nitrile/Ethylene Propylene

*(Other configuration of materials also available on request)

Operating Conditions

- Max. Operating Pressure : 10 kg/cm²*
- Temperature Range : -15 to 200 °
- Max. Rubbing Speed : 10 m/s

*(Depend on combination of materials)

Design Features/Benefits

- Non-Clogging, Single Coil Spring will not run foul due to fluid contact.
- Setting-length of spring can be held in position by impeller.
- Easy to fit and can be repaired in the field to minimize downtime and lost revenue.
- Sealing faces are precision lapped to provide effective performance with maximum seal life.



Mechanical Seal Specification

Determine the best sealing solution for your applications.

Dimensional Data (mm.)

D1	D3	D7	L1	L8	L9
10	19	21	15.5	17.5	10.0
12	21	23	16.0	17.5	10.0
14	23	25	16.5	17.5	10.0
16	26	27	18.0	17.5	10.0
18	29	33	19.5	19.5	11.5
20	31	35	22.0	19.5	11.5
22	33	37	21.5	19.5	11.5
24	35	39	23.5	19.5	11.5
25	36	40	26.5	19.5	11.5
28	40	43	26.5	19.5	11.5
30	43	45	26.5	19.5	11.5
32	46	48	28.5	19.5	11.5
33	47	48	28.5	19.5	11.5
35	49	50	28.5	19.5	11.5
38	53	56	33.5	22.0	14.0
40	56	58	36.0	22.0	14.0
43	59	61	38.5	22.0	14.0
45	61	63	39.5	22.0	14.0
48	64	66	46.0	22.0	14.0
50	66	70	45.0	23.0	15.0
53	69	73	47.0	23.0	15.0
55	71	75	49.0	23.0	15.0
58	76	78	55.0	23.0	15.0
60	78	80	55.0	23.0	15.0
63	83	83	55.0	23.0	15.0
65	84	85	55.0	23.0	15.0
68	88	90	55.0	26.0	18.0
70	90	92	57.0	26.0	18.0
75	98	97	62.0	26.0	18.0
80	100	105	61.8	26.2	18.2

* Other sizes are available upon request.