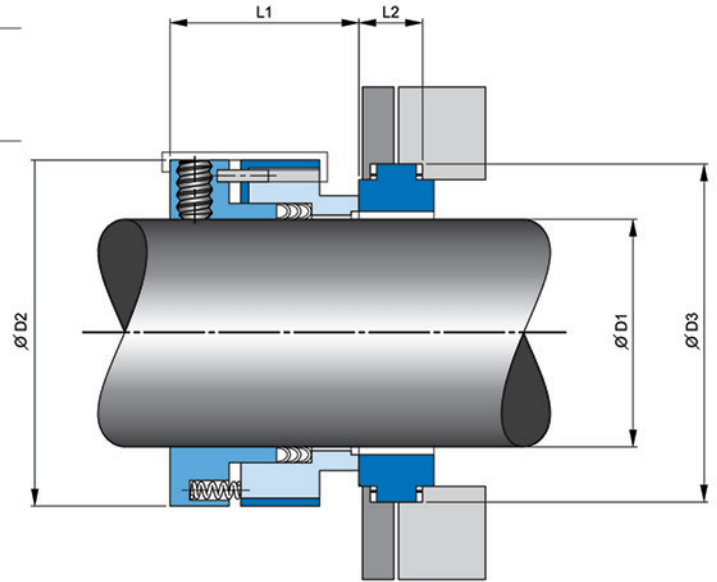


## Elastomer O-Ring Seals

# TIB-700



### Applications

- For use with extremely corrosive chemicals, including concentrated acids and salts, strong oxidizing and reducing agents, and chemically active organic compounds.
- For external mounting in pumps and agitators vessels.
- Metallic components are located outside the seal chamber and isolated from the process liquid.

### Standard Materials

- Metal Parts : SUS 316
- Spring : SUS 316
- Rotary Face : Silicon Carbide/Tungsten Carbide/Carbon
- Stationary Face : Silicon Carbide/Tungsten Carbide/Carbon
- Secondary Seals : Fluoroelastomer/Nitrile/Ethylene Propylene/PTFE

\*(Other configuration of materials also available on request)

### Operating Conditions

- Max. Operating Pressure : 15 kg/cm<sup>2</sup>\*
- Temperature Range : -15 to 200 \*
- Max. Rubbing Speed : 25 m/s

\*(Depend on combination of materials)

### Design Features/Benefits

- Mounted outside the seal chamber with only the internal surfaces of the secondary seals and face in contact with the process liquid.
- Multiple springs exert even closing force on seal faces. Ensure even loading of seal face and compensates for acceptable shaft misalignment.
- Setting-length of spring can be held in position by build in set-ring.



# Mechanical Seal Specification

Determine the best sealing solution for your applications.

## Dimensional Data (mm.)

D1	D2	D3	L1	L2
20	46	44.7	31	17.4
22	48	47.4	31	17.4
24	50	52.2	35	17.4
25	51	53.4	35	17.4
28	54	56.6	35	17.4
30	56	58.2	35	17.4
32	58	59.3	35	17.4
35	61	61.2	35	17.4
38	64	69.2	35	17.4
40	66	72.4	36	17.4
45	71	82.0	36	17.4
50	76	88.2	36	17.4
55	81	97.8	36	17.4
60	86	98.7	36	17.4
65	91	107.2	36	17.4

\* Other sizes are available upon request.