

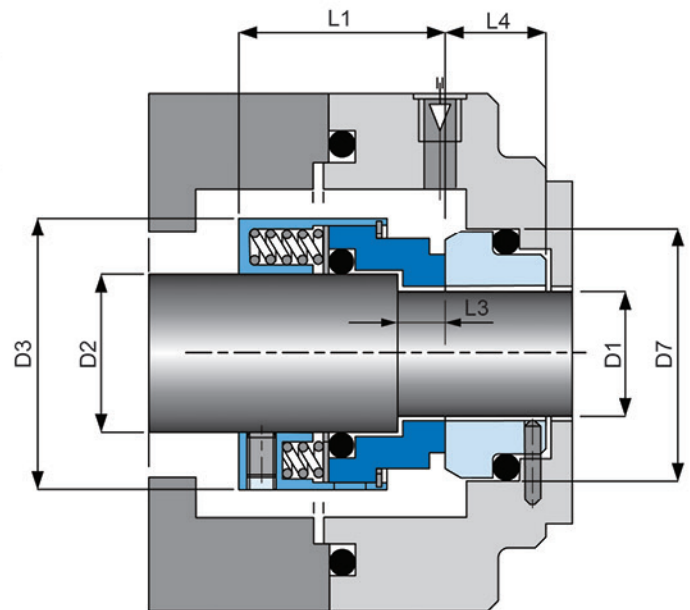


Mechanical Seal Specification

Determine the best sealing solution for your applications.

Elastomer O-Ring Seals

TIB-400B



Applications

- General and high pressure sealing duties, chemical, including processing, refinery and petrochemical plants.
- Oils, solvents, refrigerants, water and food processing, and other demanding applications.

Standard Materials

- Metal Parts : SUS 316
- Spring : SUS 316
- Rotary Face : Silicon Carbide/Tungsten Carbide/Carbon
- Stationary Face : Silicon Carbide/Tungsten Carbide/Carbon
- Secondary Seals : Fluoroelastomer/Nitrile/Ethylene Propylene/PTFE

*(Other configuration of materials also available on request)

Operating Conditions

- Max. Operating Pressure : 40 kg/cm²*
- Temperature Range : -15 to 200 °
- Max. Rubbing Speed : 15 m/s

*(Depend on combination of materials)

Design Features/Benefits

- Multiple springs exert even closing force on seal faces. Ensure even loading of seal face and compensates for acceptable shaft misalignment.
- Versatile design using components common to other O-ring and wedge type seals. Allow easy repair, reduced spares holding, and simple conversion to balanced/unbalanced or wedge seal.
- Setting-length of spring can be held in position by build in set-ring.



Mechanical Seal Specification

Determine the best sealing solution for your applications.

Dimensional Data (mm.)

D1	D2	D3	D7	L1	L3	L4
14	18	32	25	30.7	12	6
16	20	34	20	30.7	12	6
18	22	36	33	31.7	13.5	6.5
20	24	38	35	31.7	13.5	6.5
22	26	40	37	31.7	13.5	6.5
24	28	42	39	34.4	13.5	6.5
25	30	44	40	34.7	13	7
28	33	47	43	37.7	12.5	7.5
30	35	49	45	38.2	12	8
32	38	54	48	38.2	12	8
33	38	54	48	38.2	12	8
35	40	56	50	38.2	12	8
38	43	59	56	39.7	13	10
40	45	61	58	39.7	13	10
43	48	64	61	39.7	13	10
45	50	66	63	39.7	13	10
48	53	69	66	39.7	13	10
50	55	71	70	44.2	13.5	11.5
53	58	78	73	44.2	13.5	11.5
55	60	80	75	44.2	13.5	11.5
58	63	83	78	49.2	13.5	11.5
60	65	85	80	49.2	13.5	11.5
63	68	88	83	49.2	13.5	11.5
65	70	90	85	49.2	13.5	11.5
70	75	95	92	55.7	14.5	13.5
75	80	104	97	55.7	14.5	13.5
80	85	109	105	55.2	15	13
85	90	114	110	60.2	15	13
90	95	119	115	60.2	15	13
95	100	124	120	60.2	15	13
100	105	129	125	60.2	15	13

* Other sizes are available upon request.