

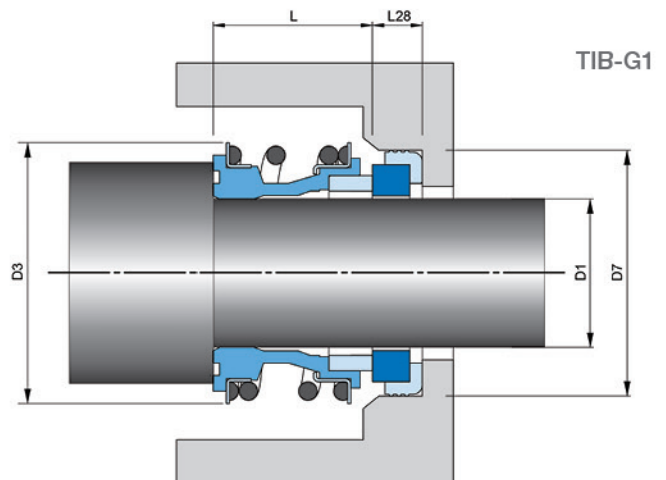


Mechanical Seal Specification

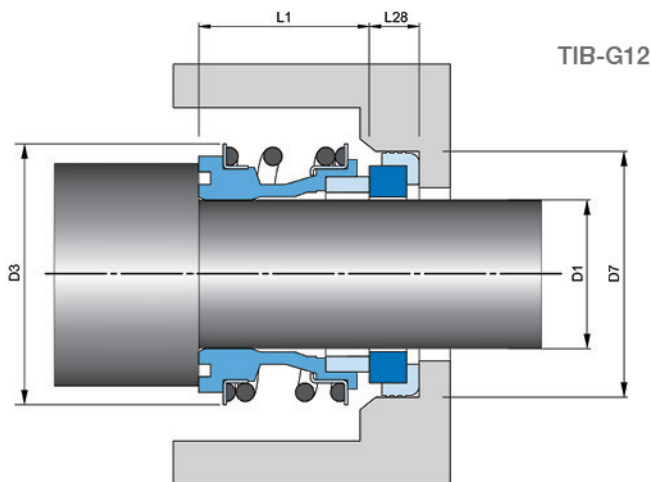
Determine the best sealing solution for your applications.

Elastomer Bellows Seals

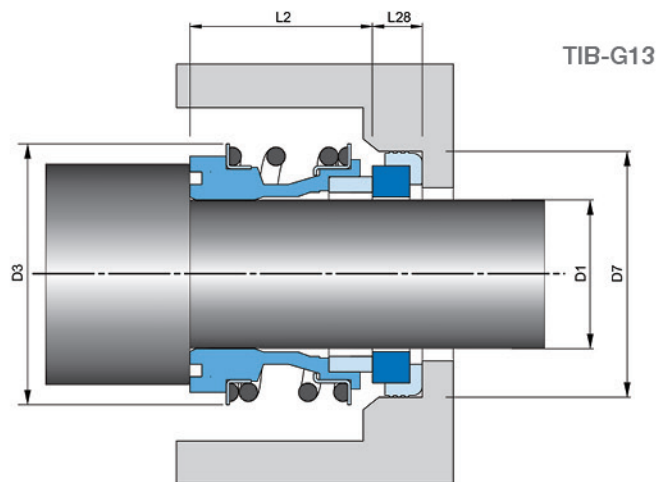
TIB-G1, G12, G13



TIB-G1



TIB-G12



TIB-G13

Applications

- For use in pumps, mixers, blenders, agitators, compressors and other rotary shaft equipment.
- For pulp and paper, petrochemical, food processing, wastewater treatment and other demanding applications.

Type TIB-G1, TIB-G12, TIB-G13 mechanical seals is a general purpose elastomer bellows non-pusher seal.

Operating Conditions

- Max. Operating Pressure : 8 kg/cm²*
- Temperature Range : -15 to 200 °
- Max. Rubbing Speed : 10 m/s

*(Depend on combination of materials)

Standard Materials

- Metal Parts : SUS 316
- Spring : SUS 316
- Rotary Face : Silicon Carbide/Tungsten Carbide/Carbon
- Stationary Face : Silicon Carbide/Ceramic/Tungsten Carbide/Carbon
- Secondary Seals : Fluoroelastomer/Nitrile/Ethylene Propylene

*(Other configuration of materials also available on request)

Design Features/Benefits

- Non-Clogging, Single Coil Spring will not run foul due to fluid contact.
- Automatic adjustment fully compensates for normal shaft end play and run-out, seal face wear, and equipment tolerances.
- Sealing faces are precision lapped to provide effective performance with maximum seal life.



Mechanical Seal Specification

Determine the best sealing solution for your applications.

Dimensional Data (mm.)

D1	D3	D7	L	L1	L2	L5	L6	L28
10	22.5	21	14.5	25.9	33.4	1.5	4.0	6.6
12	22.5	23	15.0	25.9	33.4	1.5	4.0	6.6
14	28.5	25	17.0	28.4	33.4	1.5	4.0	6.6
16	28.5	27	17.0	28.4	33.4	1.5	4.0	6.6
18	32.0	33	19.5	30.0	37.5	2.0	5.0	7.5
20	37.0	35	21.5	30.0	37.5	2.0	5.0	7.5
22	37.0	37	21.5	30.0	37.5	2.0	5.0	7.5
24	42.5	39	22.5	32.5	42.5	2.0	5.0	7.5
25	42.5	40	23.0	32.5	42.5	2.0	5.0	7.5
28	49.0	43	26.5	35.0	42.5	2.0	5.0	7.5
30	49.0	45	26.5	35.0	42.5	2.0	5.0	7.5
32	53.5	48	27.5	35.0	47.5	2.0	5.0	7.5
33	53.5	48	27.5	35.0	47.5	2.0	5.0	7.5
35	57.0	50	28.5	35.0	47.5	2.0	5.0	7.5
38	59.0	56	30.0	36.0	46.0	2.0	6.0	9.0
40	62.0	58	30.0	36.0	46.0	2.0	6.0	9.0
43	65.5	61	30.0	36.0	51.0	2.0	6.0	9.0
45	68.0	63	30.0	36.0	51.0	2.0	6.0	9.0
48	70.5	66	30.5	36.0	51.0	2.0	6.0	9.0
50	74.0	70	30.5	38.0	50.5	2.5	6.0	9.5
53	78.5	73	33.0	36.5	59.0	2.5	6.0	11.0
55	81.0	75	35.0	36.5	59.0	2.5	6.0	11.0
58	85.5	78	37.0	41.5	59.0	2.5	6.0	11.0
60	88.5	80	38.0	41.5	59.0	2.5	6.0	11.0
65	93.5	85	40.0	41.5	69.0	2.5	6.0	11.0
68	96.5	90	40.0	41.2	68.7	2.5	7.0	11.3
70	99.5	92	40.0	48.7	68.7	2.5	7.0	11.3
75	107.0	97	40.0	48.7	68.7	2.5	7.0	11.3
80	112.0	105	40.0	48.0	78.0	3.0	7.0	12.0
85	120.0	110	41.0	46.0	76.0	3.0	7.0	14.0
90	127.0	115	45.0	51.0	76.0	3.0	7.0	14.0
95	132.0	120	46.0	51.0	76.0	3.0	7.0	14.0
100	137.0	125	47.0	51.0	76.0	3.0	7.0	14.0

* Other sizes are available upon request.