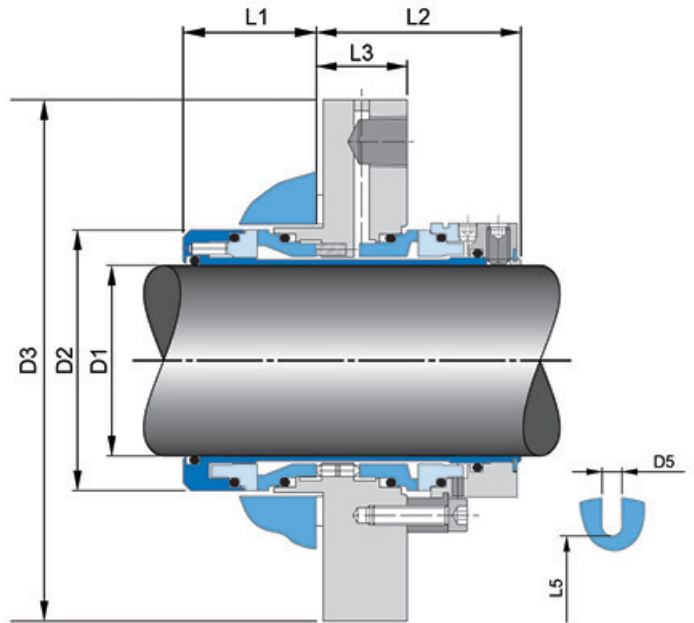
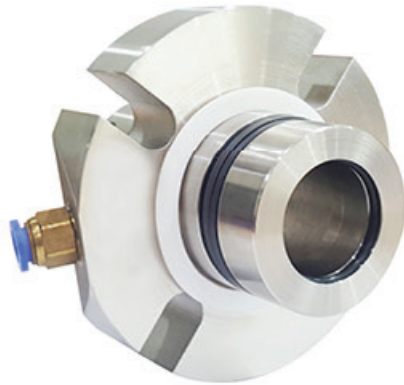


## Elastomer O-Ring Seals

# TIB-320



### Applications

- For use in pumps, mixers, blenders, agitators, compressors and other rotary shaft equipment.
- For pulp and paper, petrochemical, food processing, wastewater treatment and other demanding applications.

Type TIB-320 is a double cartridge heavy duty slurry seal designed to operate in harsh slurry. Incorporates a unique non-clogging multiple springs are isolated from liquid rich in solid impurity. Double cartridge seals prevent for avoid from dry-running in case of non-continuous liquid in processes.

### Operating Conditions

- Max. Operating Pressure : 30 kg/cm<sup>2</sup>\*
- Temperature Range : -15 to 200 °
- Max. Rubbing Speed : 35 m/s

\*(Depend on combination of materials)

### Standard Materials

- Metal Parts : SUS 316
- Spring : SUS 316
- Rotary Face : Silicon Carbide/Tungsten Carbide
- Stationary Face : Silicon Carbide/Tungsten Carbide/Carbon
- Secondary Seals : Fluoroelastomer/Nitrile/Ethylene Propylene

\*(Other configuration of materials also available on request)

### Design Features/Benefits

- The balanced cartridge construction makes the suitable for a wide range of demanding applications, excellent reliability, and repeatability of performance.
- Cartridge seal configuration. Easy to install and operate.
- Double cartridge seal configuration design for safety operation.
- The multiple springs are located in the stationary housing outside of the sealed liquids.
- Premium-grade silicon carbide solid seal faces are excellent for abrasion-resistant and corrosion-resistant provided seal life consistent with equipment parts.



# Mechanical Seal Specification

Determine the best sealing solution for your applications.

## Dimensional Data (mm.)

D1	D2	D3	D5	L1	L2	L3	L5
24	44.5	104	12.5	35	54	24	62
25	44.5	104	12.5	35	54	24	62
28	47.5	104	12.5	35	54	24	62
30	49.5	104	12.5	35	54	24	67
32	51.5	104	12.5	35	54	24	67
33	51.5	104	12.5	35	54	24	67
35	54.5	110	12.5	35	54	24	70
38	57.5	125	14.7	35	54	24	75
40	59.5	125	14.7	35	54	24	75
42	61.5	133	14.7	35	54	24	80
43	62.5	133	14.7	35	54	24	80
45	64.5	140	14.7	35	54	24	82
48	67.5	140	14.7	35	54	24	82
50	69.5	140	14.7	35	54	24	87
53	72.5	150	17.5	35	54	24	92
55	74.5	150	17.5	35	54	24	92
60	79.5	160	17.5	35	54	24	100
65	84.5	165	18.5	35	54	24	105
70	89.5	180	17.5	35	54	24	120
75	102	190	17.5	39	58	26	125
80	107	190	17.5	39	58	26	130
85	112	220	21.5	39	58	26	135
90	117	220	21.5	39	58	26	140
95	122	220	21.5	39	58	26	145
100	127	220	21.5	39	58	26	150

## Dimensional Data (inch)

D1	D2	D3	D5	L1	L2	L3	L5
1.000	1.752	4.094	0.492	1.378	2.126	0.984	2.441
1.125	1.870	4.094	0.492	1.378	2.126	0.984	2.441
1.250	2.027	4.094	0.492	1.378	2.126	0.984	2.638
1.375	2.146	4.331	0.492	1.378	2.126	0.984	2.756
1.500	2.264	4.921	0.579	1.378	2.126	0.984	2.953
1.625	2.421	5.236	0.579	1.378	2.126	0.984	3.150
1.750	2.539	5.512	0.579	1.378	2.126	0.984	3.228
1.875	2.657	5.512	0.579	1.378	2.126	0.984	3.228
2.000	2.736	5.906	0.579	1.378	2.126	0.984	3.425
2.125	2.854	6.102	0.689	1.378	2.126	0.984	3.622
2.250	3.051	6.299	0.689	1.378	2.126	0.984	3.937
2.375	3.130	6.469	0.689	1.378	2.126	0.984	3.937
2.500	3.248	6.639	0.689	1.378	2.126	0.984	4.055
2.625	3.445	7.067	0.689	1.378	2.126	0.984	4.724
2.750	3.523	7.480	0.689	1.378	2.126	0.984	4.724
2.875	3.937	7.480	0.689	1.535	2.283	1.181	4.843
3.000	4.016	7.480	0.689	1.535	2.283	1.181	4.921
3.125	4.213	8.661	0.689	1.535	2.283	1.181	5.118
3.250	4.331	8.661	0.846	1.535	2.283	1.181	5.236
3.375	4.410	8.661	0.846	1.535	2.283	1.181	5.315
3.500	4.607	8.661	0.846	1.535	2.283	1.181	5.512
3.625	4.685	8.661	0.846	1.535	2.283	1.181	5.591
3.750	4.804	8.661	0.846	1.535	2.283	1.181	5.709
3.875	5.000	8.661	0.846	1.535	2.283	1.181	5.906
4.000	5.000	8.661	0.846	1.535	2.283	1.181	5.906

\* Other sizes are available upon request.